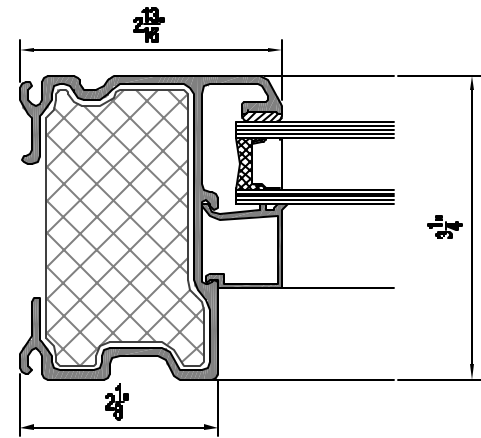
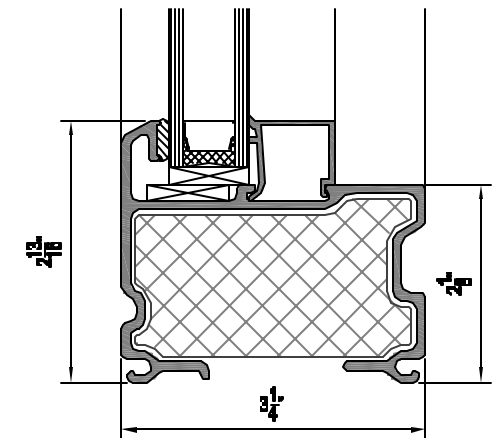


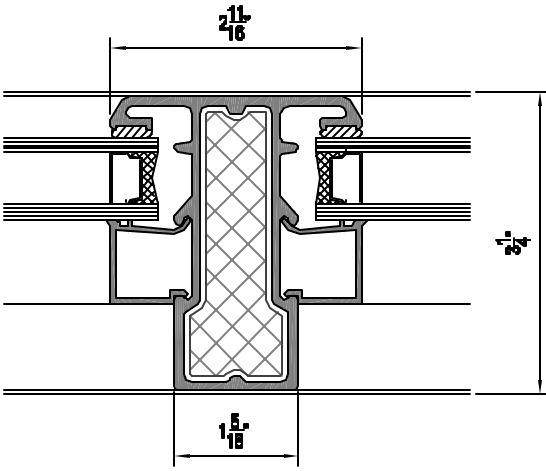
1 HEAD DETAIL
325HP



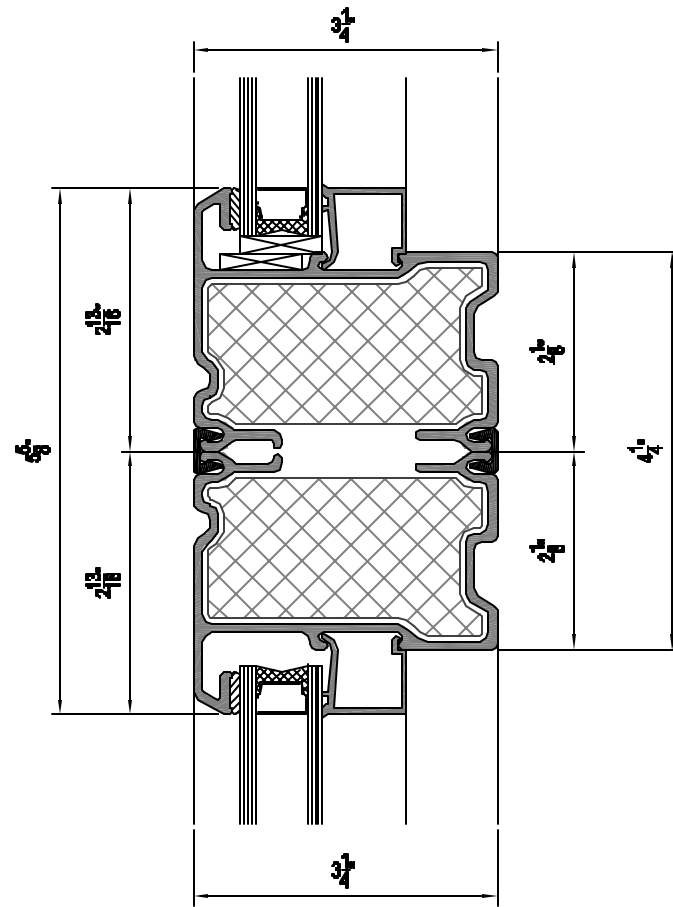
3 JAMB DETAIL
325HP



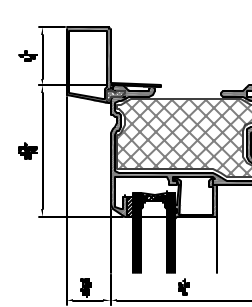
2 SILL DETAIL
325HP



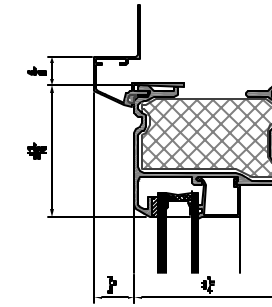
4 MULLION DETAIL
325HP



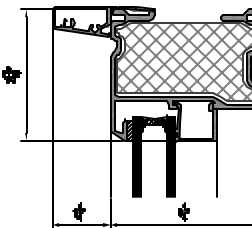
5 INTERMEDIATE DETAIL
325HP



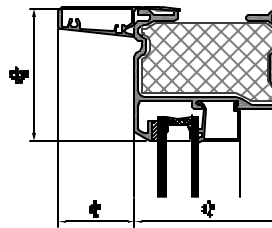
A #110
325HP



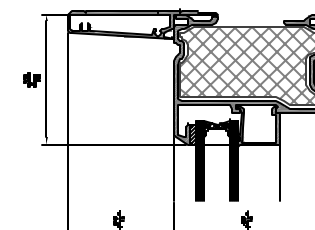
B #112
325HP



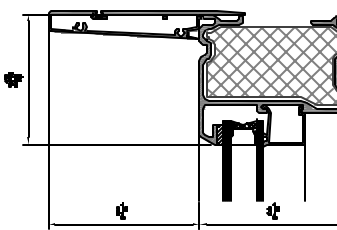
C #115 1-1/4
325HP



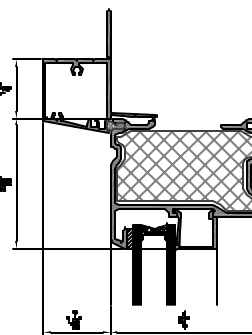
D #115 1-5/8
325HP



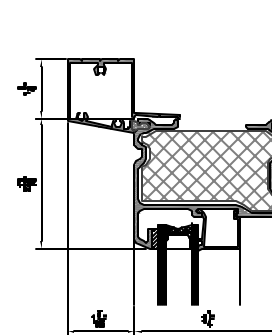
E #115 2-1/4
325HP



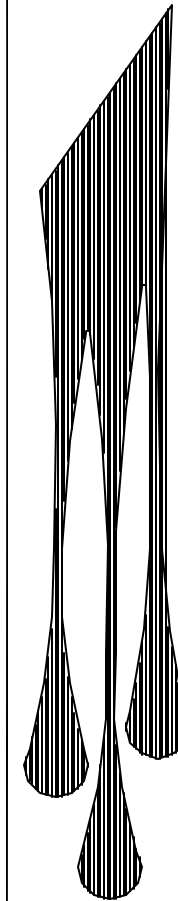
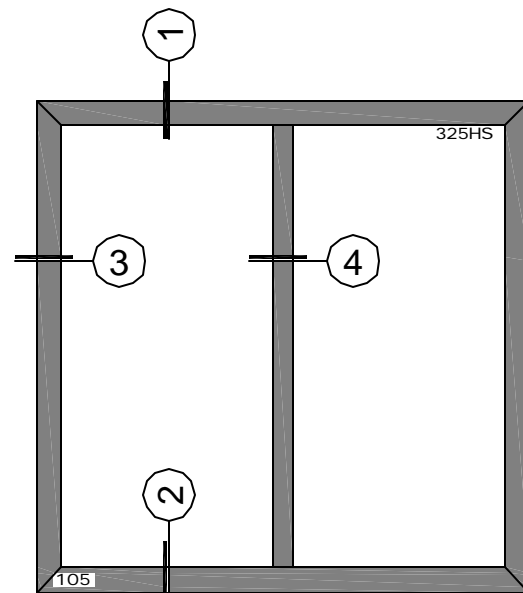
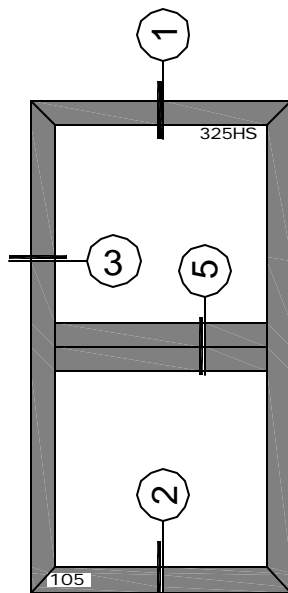
F #115 3-1/4
325HP



G #128
325HP



H #128A
325HP



INLINE
FIBERGLASS LTD.

30 CONSTELLATION COURT, ETOBICOKE, ONTARIO.

REVISIONS

No.	Description	DATE

TITLE

DESIGNER

F.B.

DATE

SCALE

APR 1, 2013

CHECKED

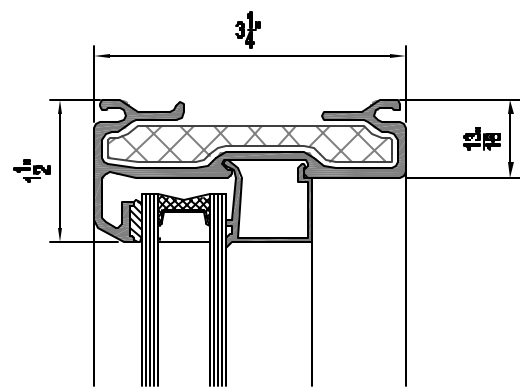
N.T.S.

REV

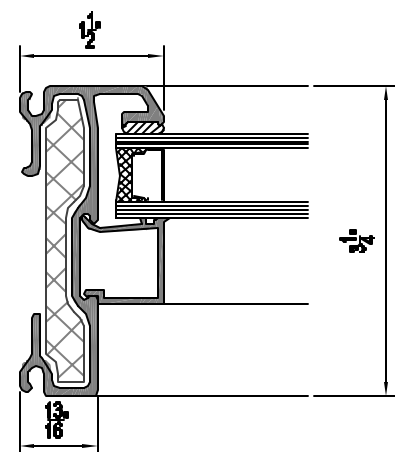
L.B.

1

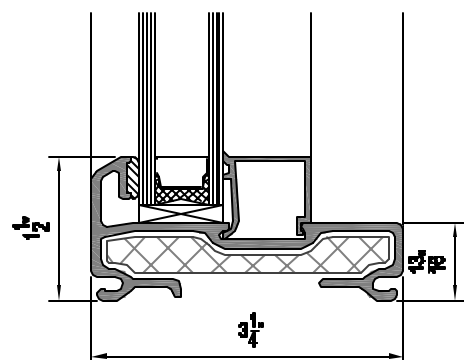
325HP



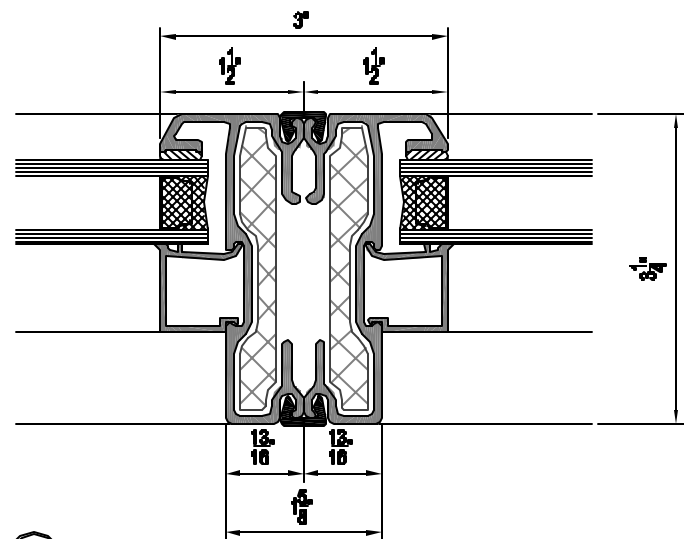
1 HEAD DETAIL
#325LF



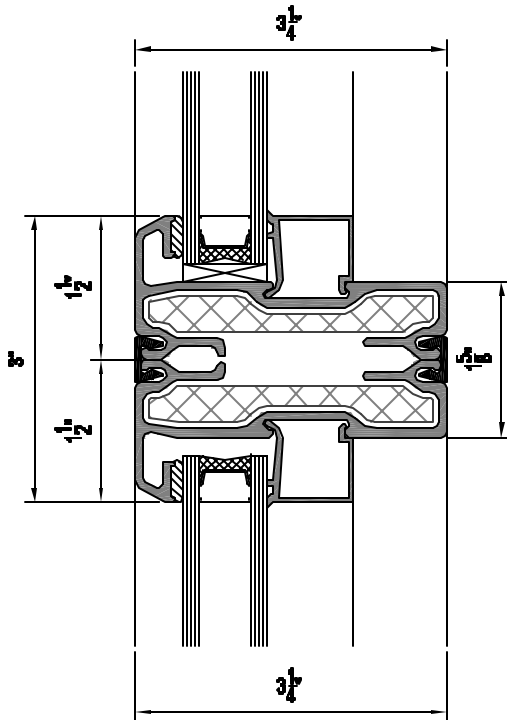
3 JAMB DETAIL
#325LF



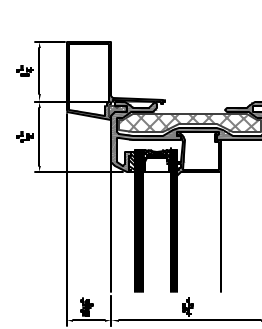
2 SILL DETAIL
#325LF



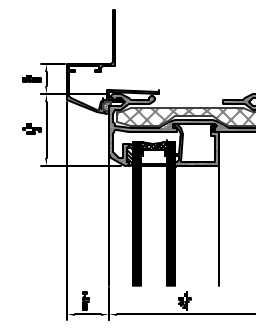
4 INTERMEDIATE DETAIL
#325LF



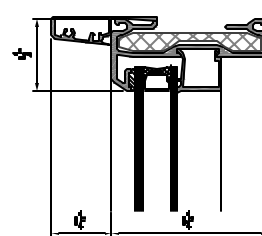
5 INTERMEDIATE DETAIL
#325LF



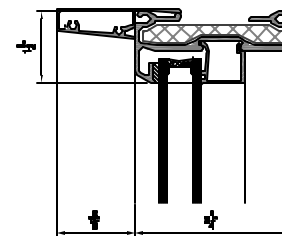
A #110
#325LF



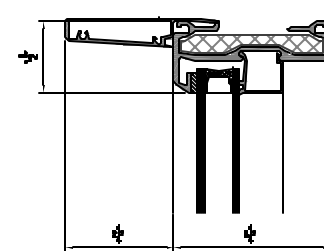
B #112
#325LF



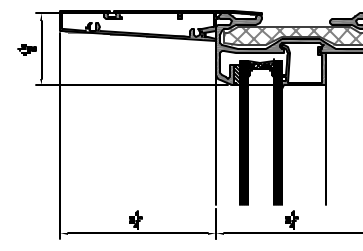
C #115 1-1/4
#325LF



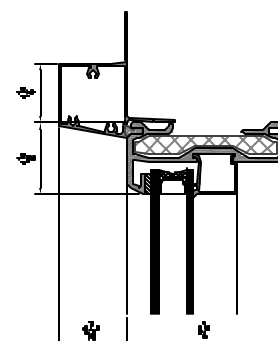
D #115 1-5/8
#325LF



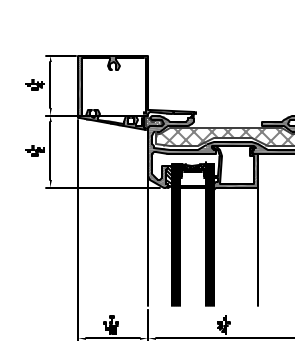
E #115 2-1/4
#325LF



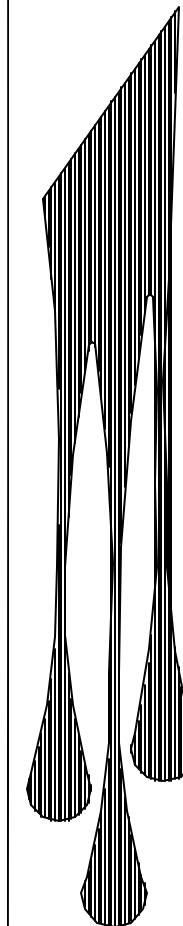
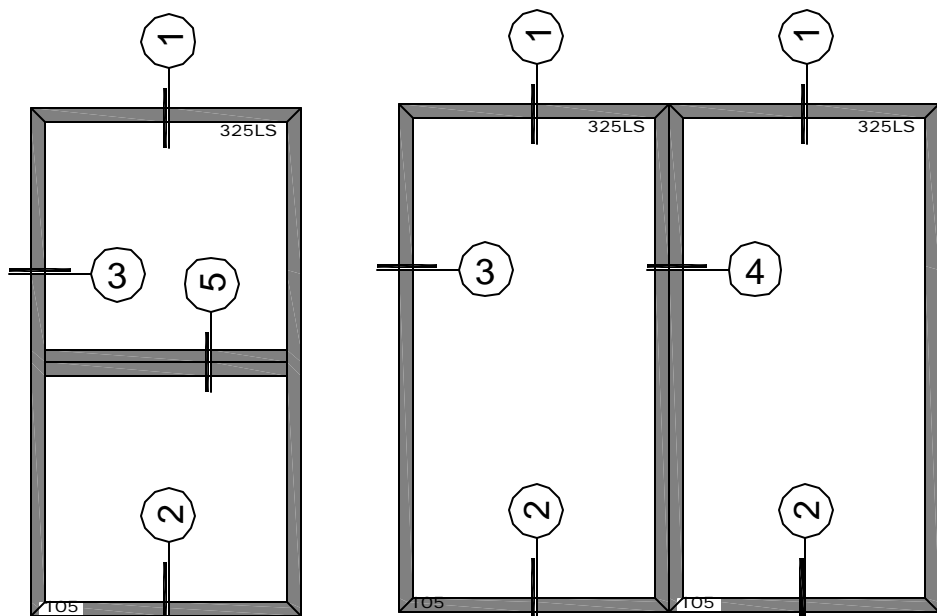
F #115 3-1/4
#325LF



G #128
#325LF



H #128A
#325LF



INLINE
FIBERGLASS LTD.

30 CONSTELLATION COURT, ETOBICOKE, ONTARIO.

REVISIONS

No.	Description	DATE

DATE:

DESIGN: F.B.
DATE: APR 1, 2013
SCALE: N.T.S.
CHECK: L.B.
REV: 0

DWG NO:

325LP