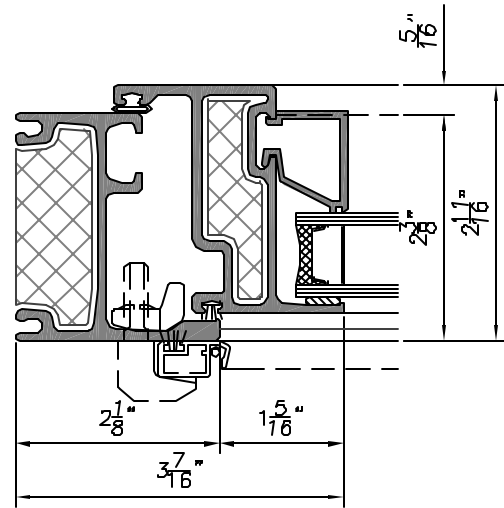
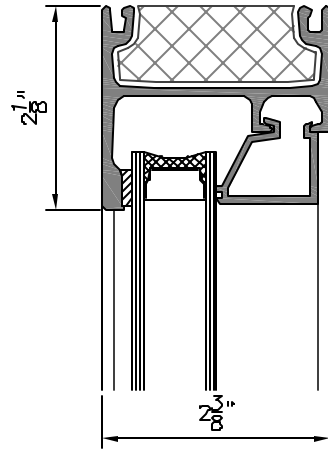


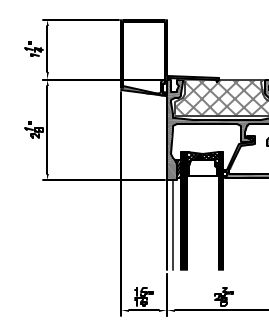
1 HEAD DETAIL
700



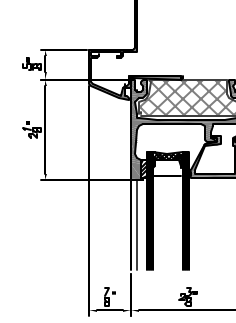
3 JAMB DETAIL
700



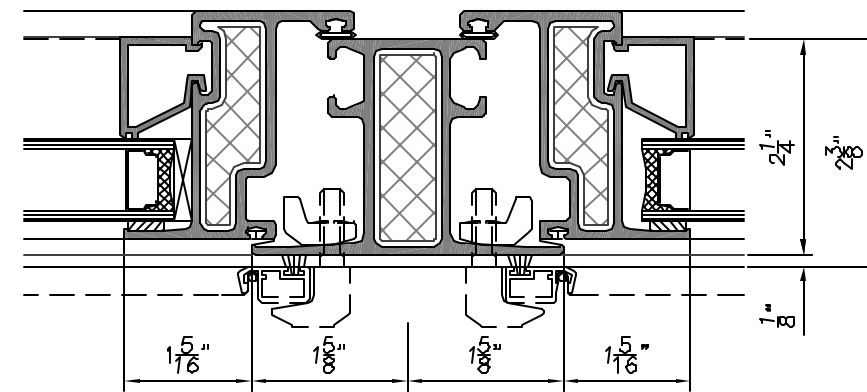
6 HEAD DETAIL AT FIXED
700



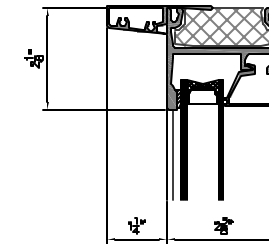
A #110
700



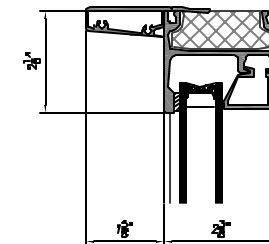
B #112
700



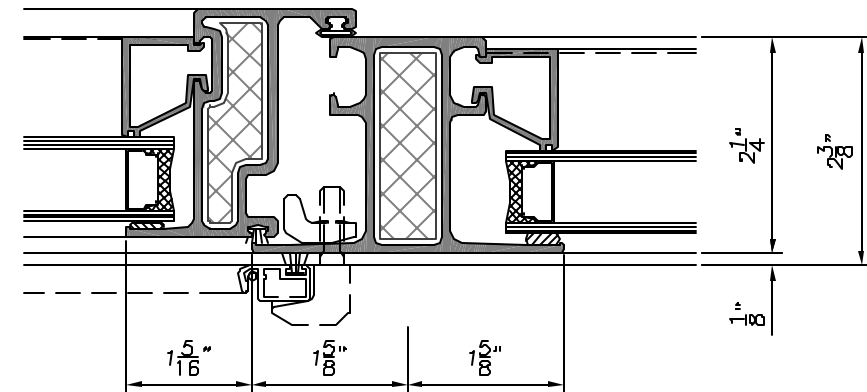
4 INTERMEDIATE W/ASTRAGAL
700



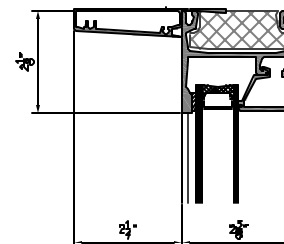
C #115 1-1/4
700



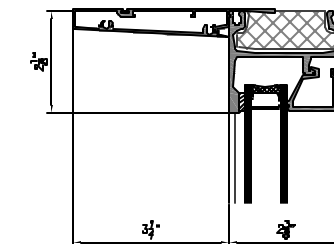
D #115 1-5/8
700



5 OPEN / FIXED
700

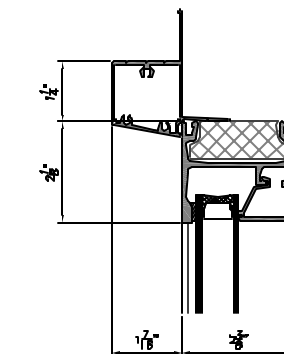
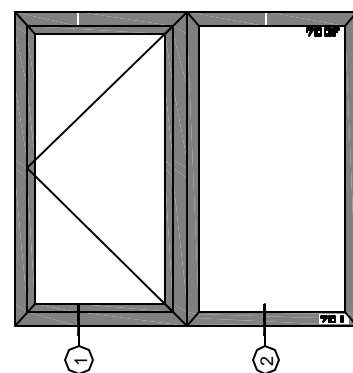
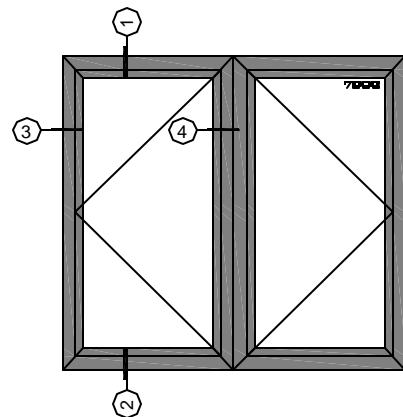


E #115 2-1/4
700

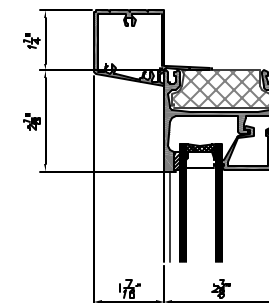


F #115 3-1/4
700

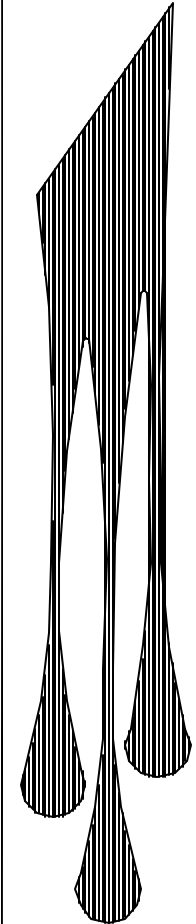
2 SILL DETAIL
700



G #128
700



H #128a
700



INLINE
FIBERGLASS LTD.

80 CONSTRUCTION COURT, STONINGHAM, ONTARIO.
Tel: (416) 879-1171 Fax: (416) 879-1169

REVISIONS		
No.	Description	DATE

**SERIES 700
WINDOWS**

DESIGN: F.B.	DWG NO: 700
DATE: APR 4, 2013	
SCALE: N.T.S.	
CHECK: L.B.	
REV: 0	