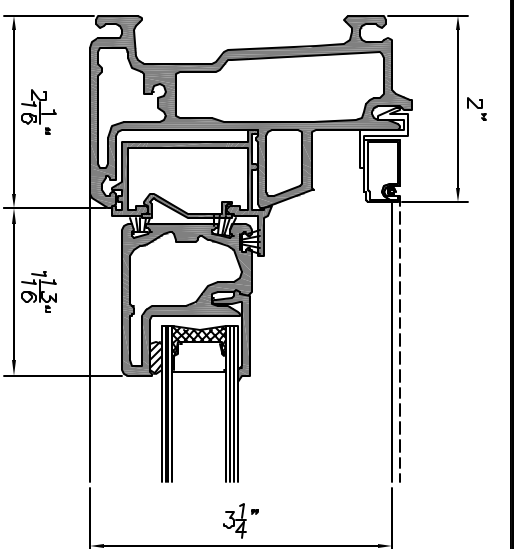
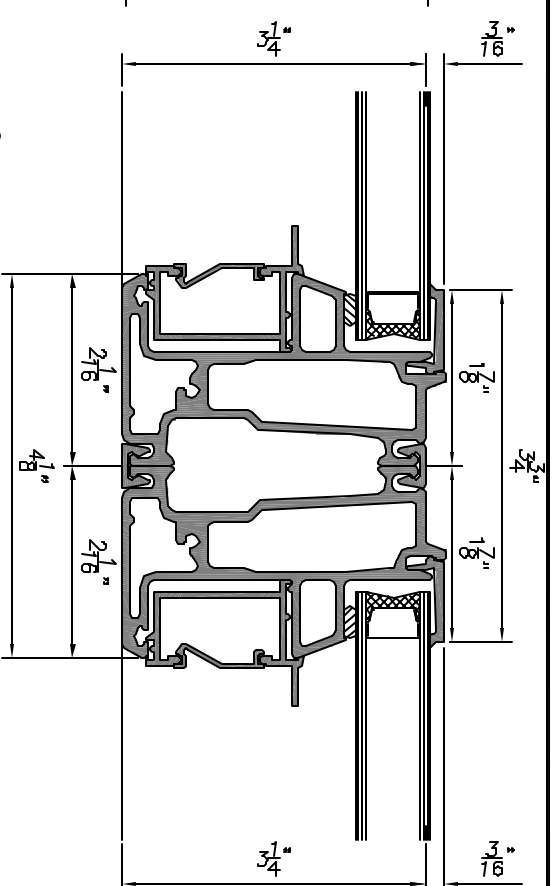


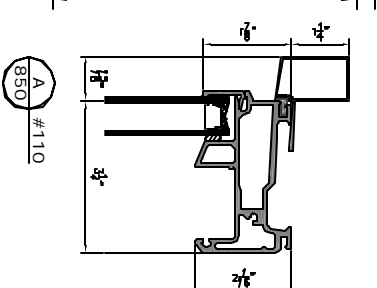
1 HEAD DETAIL
850



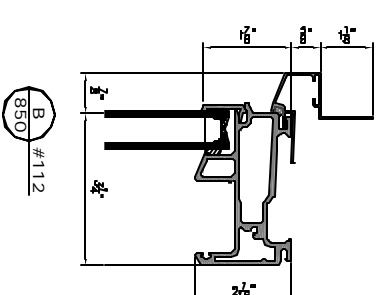
4 JAMB DETAIL
850



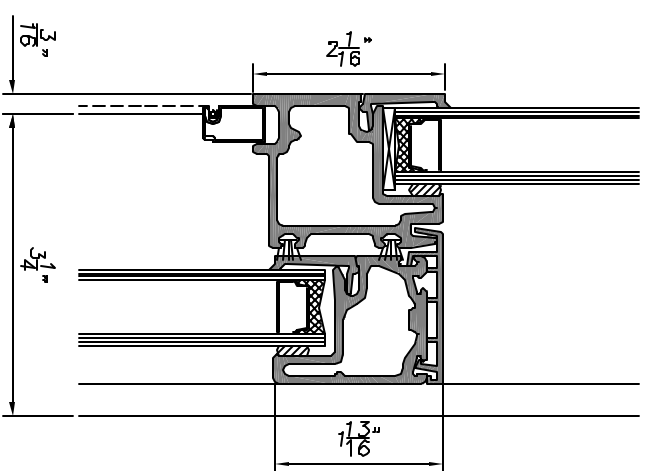
6 INTERMEDIATE DETAIL
850



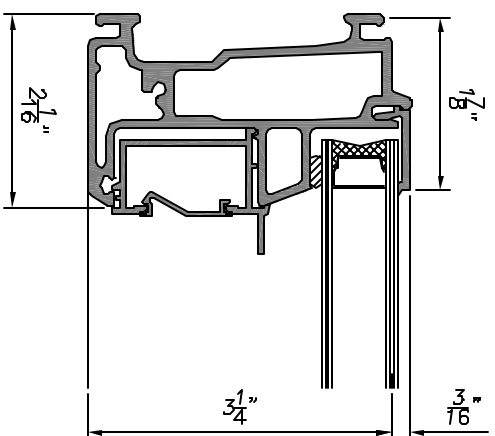
A #110
850



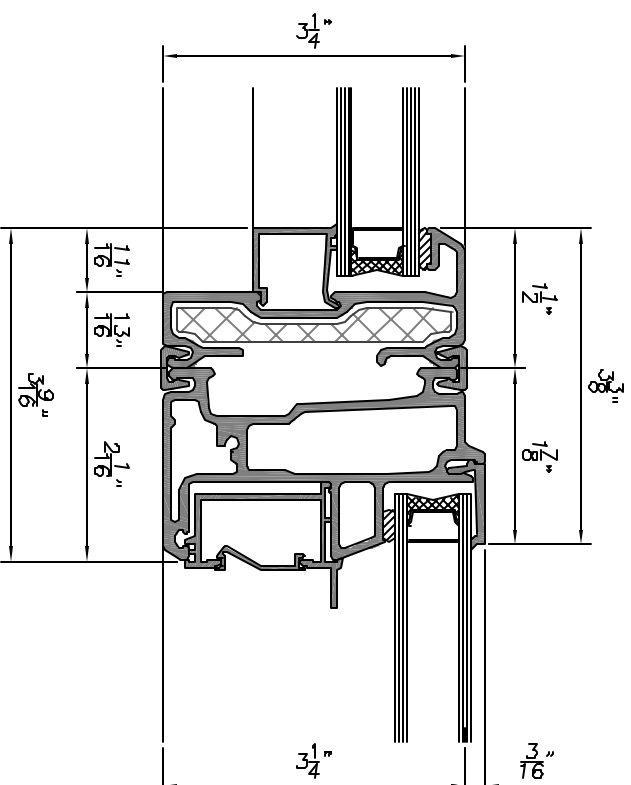
B #112
850



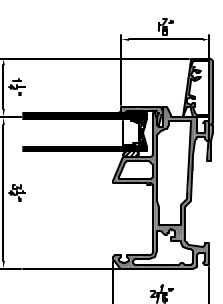
2 MEETING RAILS
850



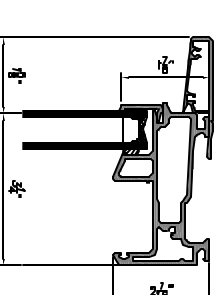
5 JAMB DETAIL AT FIXED
850



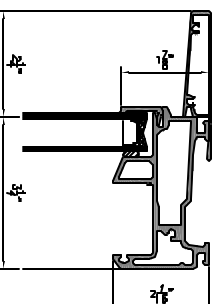
7 INTERMEDIATE DETAIL
850



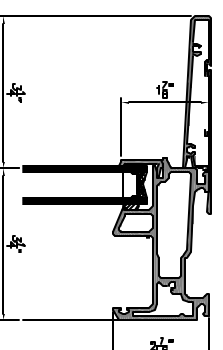
C #115-11/4
850



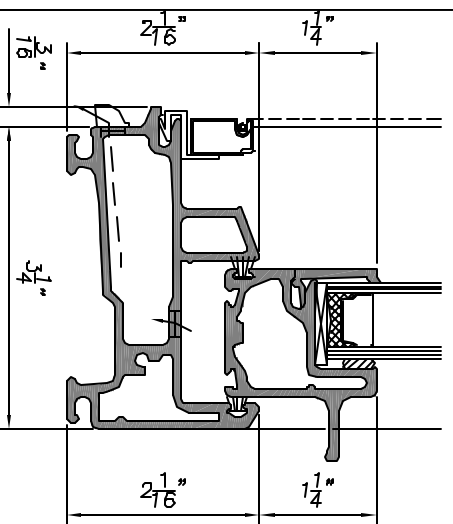
D #115-15/8
850



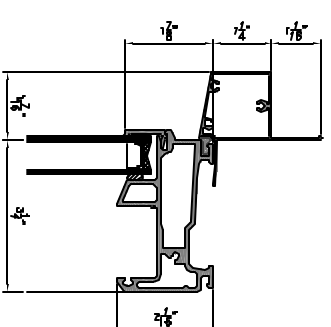
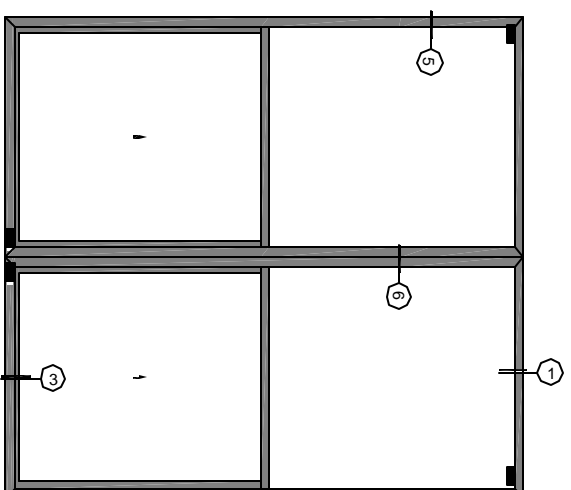
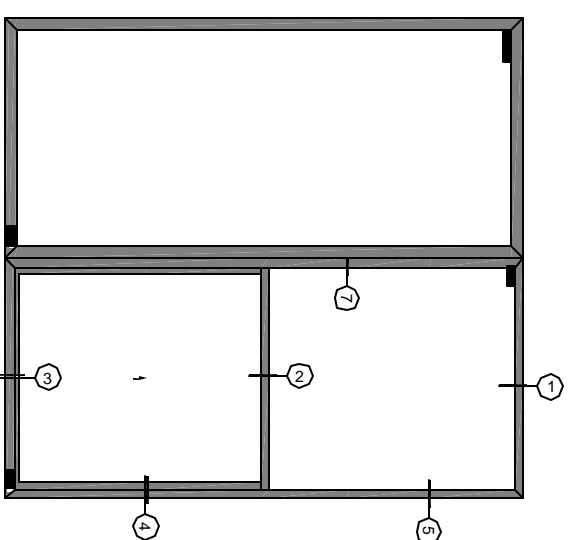
E #115-21/4
850



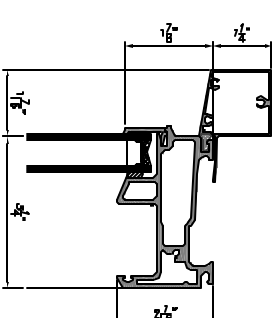
F #115-31/4
850



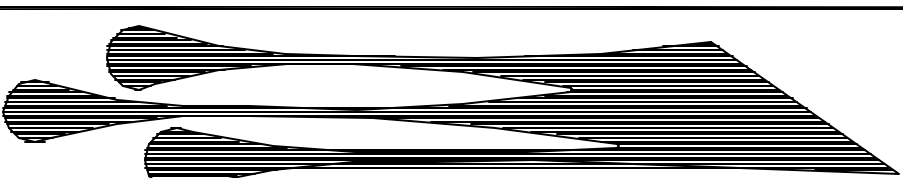
3 SILL DETAIL
850



G #128
850



H #128a
850



INLINE
FIBERGLASS LTD.

DU ODRZAZDZENIOMU CESTNIM ZNOSKOM, OBYVAKOM, ILO (440) 509-1171, ILO (440) 509-1180

REVISIONS	DATE
No. Description	

SERIES 850
WINDOWS

DATE	APR 1, 2013
DESIGNER	L.B.
BY	D

850